

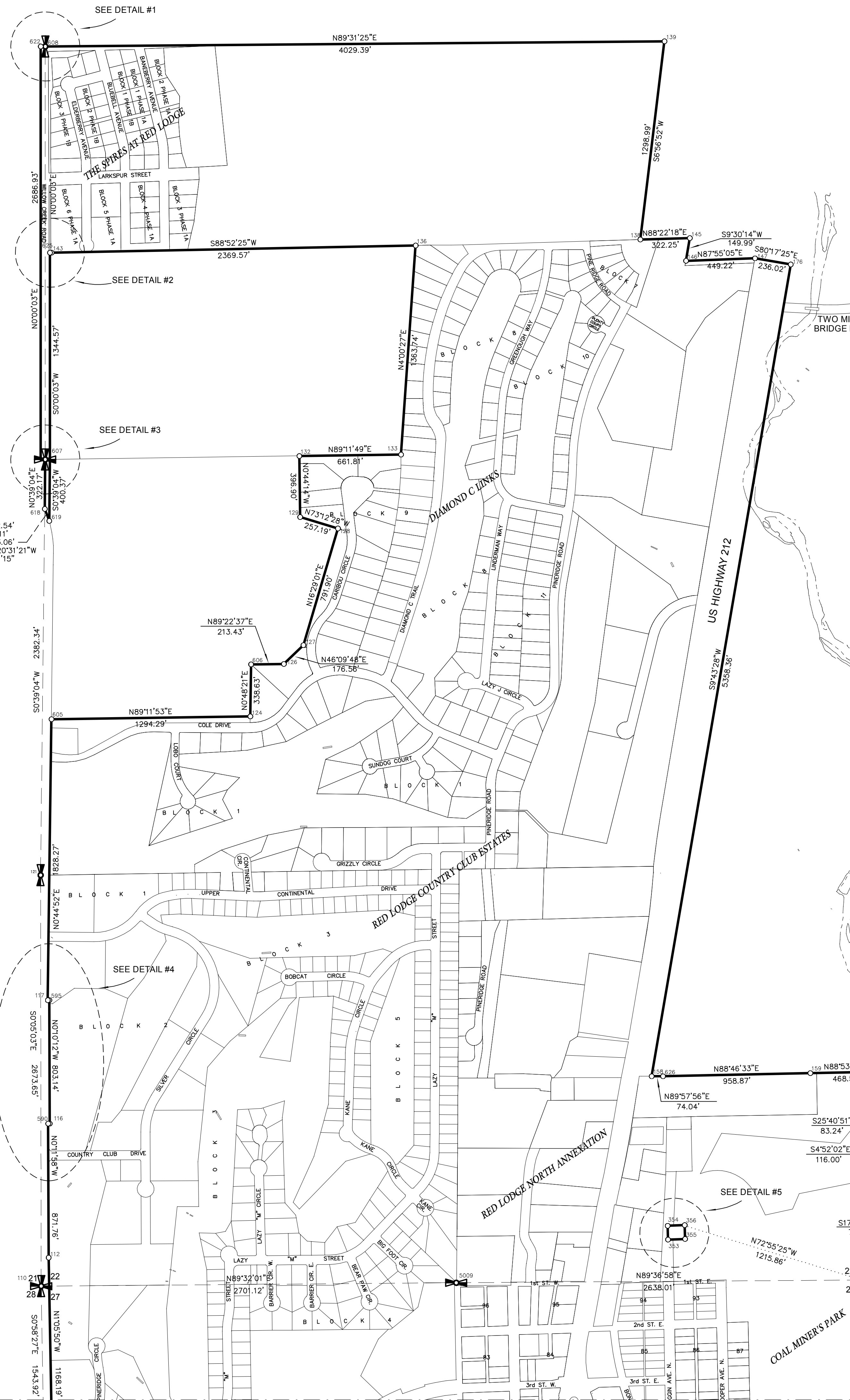
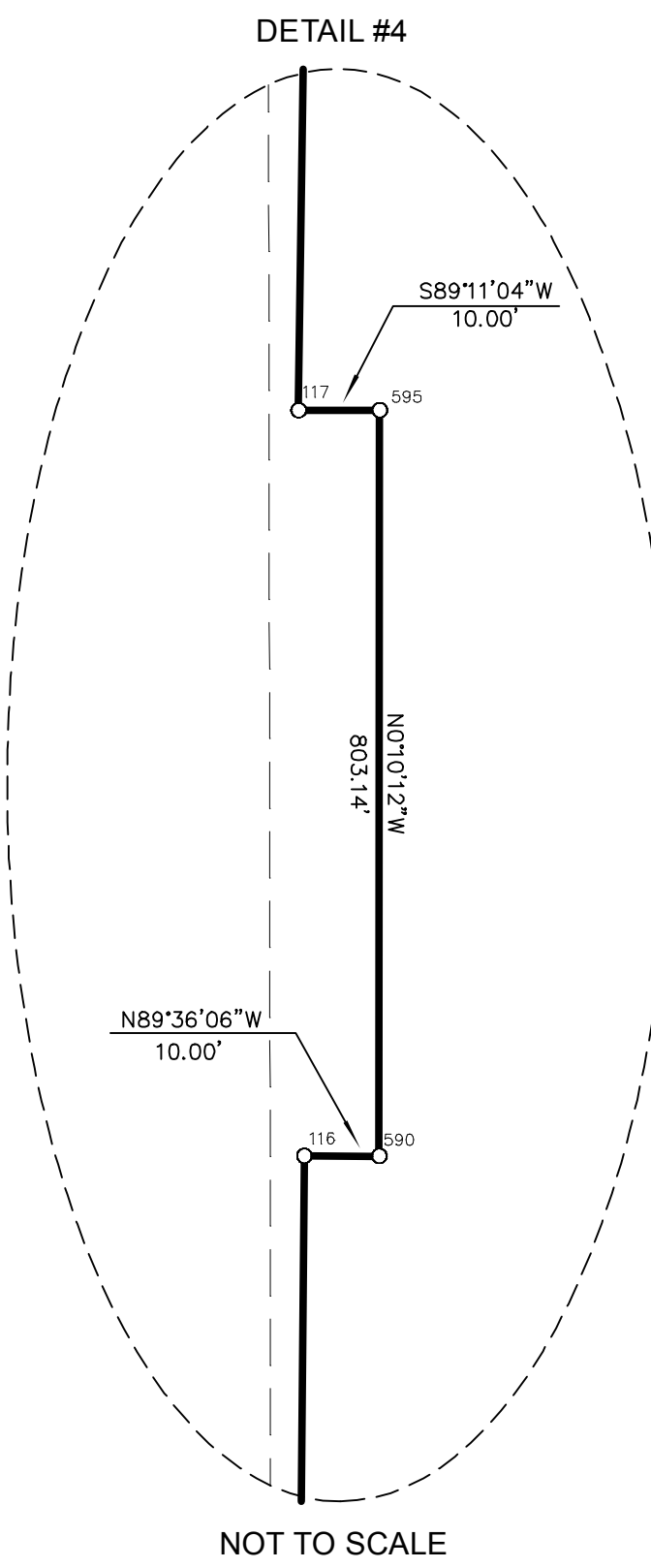
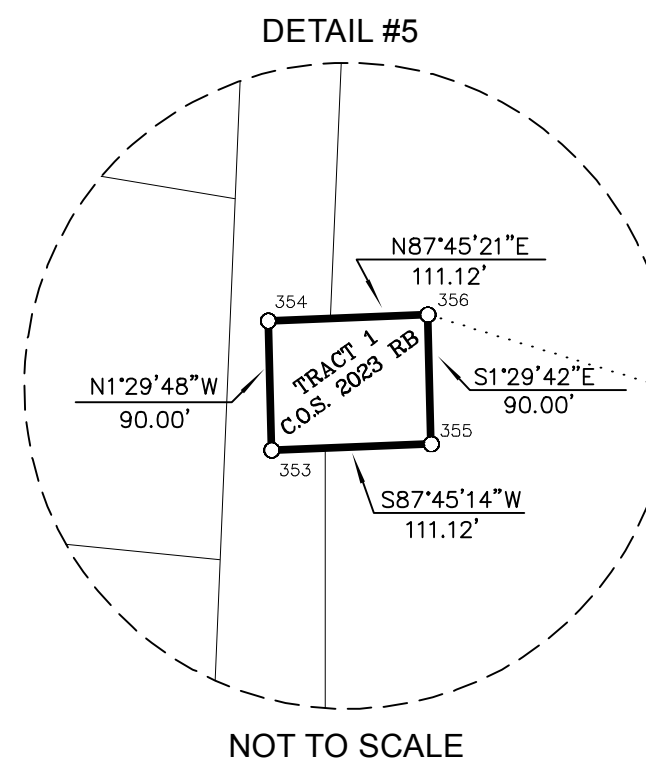
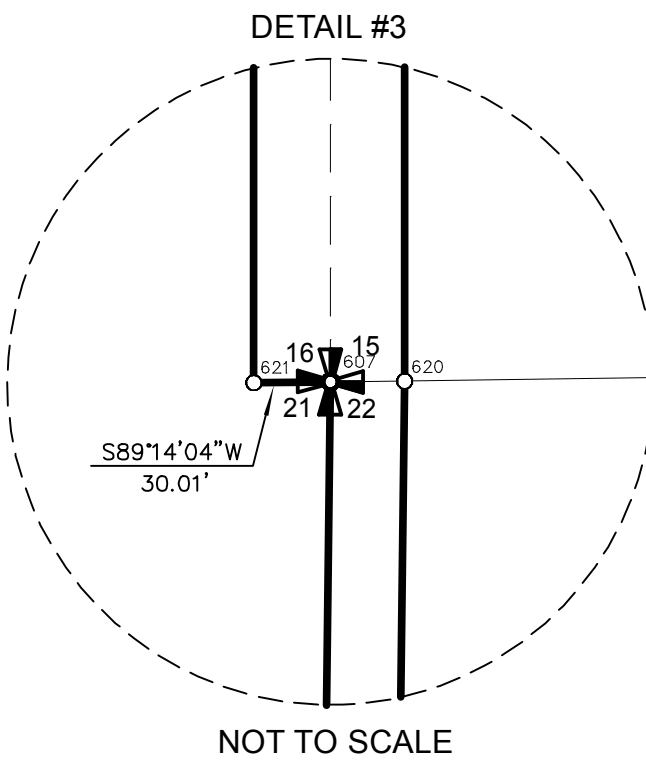
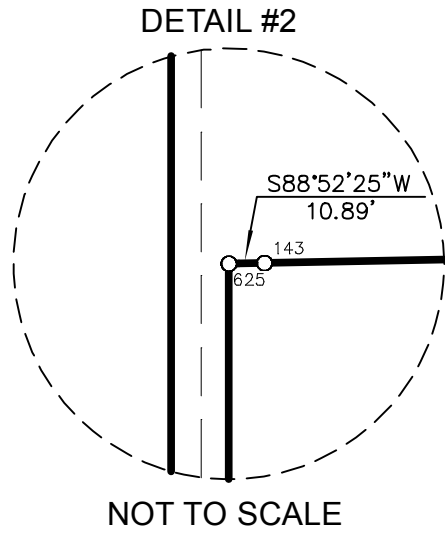
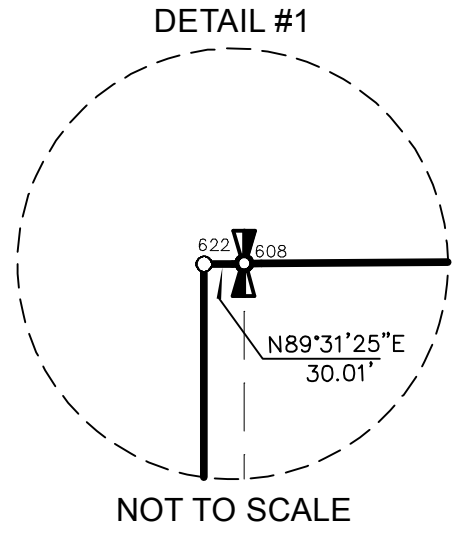
SCALE 1"=400'
0 400 800

CERTIFICATE OF SURVEY NO. _____

PRELIMINARY

SURVEY OF THE BOUNDARY OF
THE CITY OF RED LODGE

LYING IN SECTIONS 15, 22, 27, 33 AND 34. T.7S., R.20E., P.M.M.
CARBON COUNTY, MONTANA



POINT TABLE

112	MDOT 2" ALUM (11004LS) R-W MON PI STA 55+27
590	CONC R/W MON STA 64+00
116	CONC R/W MON STA 64+00
595	MDOT 2" ALUM (11004LS) R-W MON PI STA 72.00
117	MDOT 2" ALUM (11004LS) R-W MON PI STA 72.00
605	MDOT 2" ALUM (11004LS) R-W MON PC STA 101+21
124	1-1/4" YPC VIA ENG. INC. (83775)
606	1-1/4" YPC VIA ENG. INC. (83775)
126	1-1/2" ALUM VIA SCHAUBER (5430S)
127	1-1/2" ALUM VIA SCHAUBER (5430S)
128	1-1/2" ALUM VIA SCHAUBER (5430S)
129	1-1/2" ALUM VIA SCHAUBER (5430S)
132	1-1/2" ALUM VIA SCHAUBER (5430S)
133	1-1/2" ALUM VIA SCHAUBER (5430S)
136	1-1/2" ALUM VIA SCHAUBER (5430S)
143	1-1/4" YPC VIA BRATTON (9519LS)
625	NO MONUMENT FND OR SET
620	1-1/4" YPC VIA BRATTON (9519LS)
619	1-1/4" YPC VIA BRATTON (9519LS)
618	MDOT 2" ALUM (11004LS) R-W MON
607	MDOT 2" ALUM (11004LS) SEC COR
621	1-1/4" YPC VIA BRATTON (9519LS)
622	1-1/4" YPC VIA BRATTON (9519LS)
608	SET SPINDLE AT 1/4 COR
139	YPC VIA ATLAS ENG (2795S)
138	YPC VIA ATLAS ENG (2795S)
145	1-1/2" ALUM VIA SCHAUBER (5430S)
146	1-1/2" ALUM VIA SCHAUBER (5430S)
147	1-1/2" ALUM VIA SCHAUBER (5430S)
176	1-1/2" ALUM VIA SCHAUBER (5430S)
158	1-1/2" ALUM CAP VIA RYAN (4236S)
626	5/8" REBAR AT SE 1/16 S 22
159	1-1/4" YPC VIA BRATTON (9519LS)
161	1-1/2" ALUM VIA SCHAUBER (5430S) AT S 1/16 COR
4236	POINT OF RECORD (NO MONUMENT)
4235	POINT OF RECORD (NO MONUMENT)
4234	POINT OF RECORD (NO MONUMENT)
4233	POINT OF RECORD (NO MONUMENT)
4232	POINT OF RECORD (NO MONUMENT)
4231	POINT OF RECORD (NO MONUMENT)
4230	POINT OF RECORD (NO MONUMENT)
4229	POINT OF RECORD (NO MONUMENT)
4228	POINT OF RECORD (NO MONUMENT)
4227	POINT OF RECORD (NO MONUMENT)
4226	POINT OF RECORD (NO MONUMENT)
4225	POINT OF RECORD (NO MONUMENT)
4223	POINT OF RECORD (NO MONUMENT)
5009	MDOT 2" ALUM (12448LS)
110	MDOT 2" ALUM (11004LS)
121	MDOT 2" ALUM (11004LS)
180	1-1/2" ALUM VIA SCHAUBER (5430S)
353	1-1/4" YPC VIA BRATTON (9519LS)
354	1-1/4" YPC VIA BRATTON (9519LS)
355	1-1/4" YPC VIA BRATTON (9519LS)
356	1-1/4" YPC VIA BRATTON (9519LS)

R=759.24'
A=625.34'
CD=607.81'
CB=N24°39'42"W
D=4711'28"